



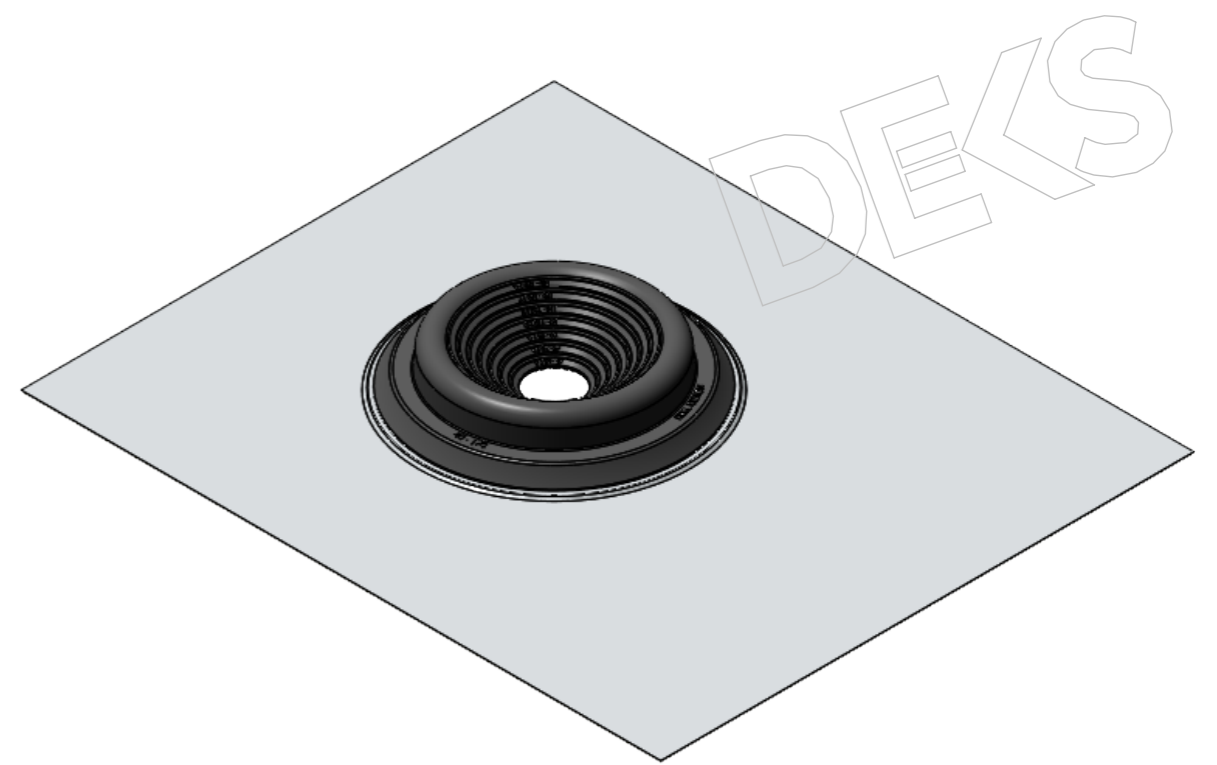
Technical Documents

1: Drawings SDA101B & SDA201RE

2: Flashings Technical Specifications

***Follow
Us On***





PART NUMBER	DISPLAY NAME	MATERIAL
SDA101B	SELDEK ALU FLASHING #1 BLK (50-170mm/2-6.75")	EPDM/ALU
SDA201RE	SELDEK ALU FLASHING #1 RED SIL (50-170mm/2-6.75")	SILICONE/ALU