



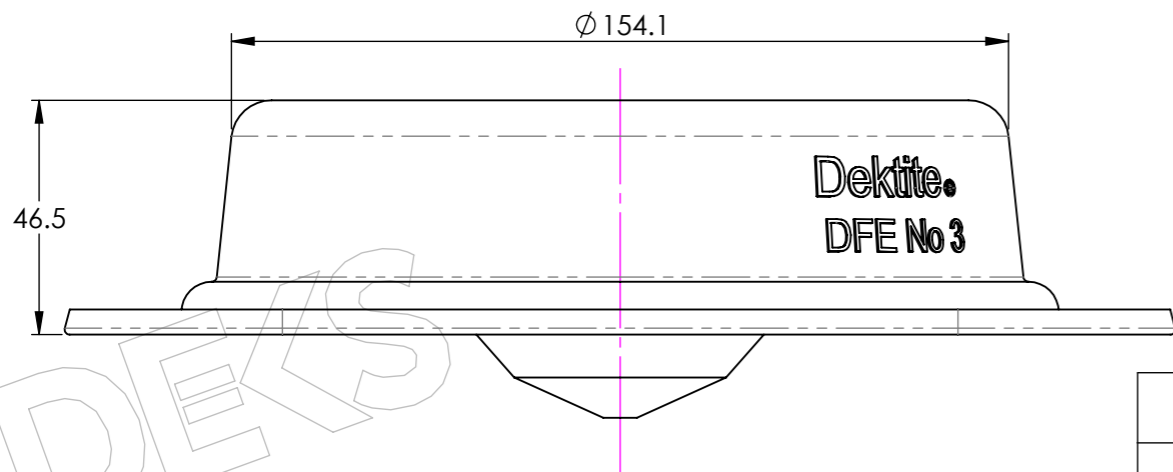
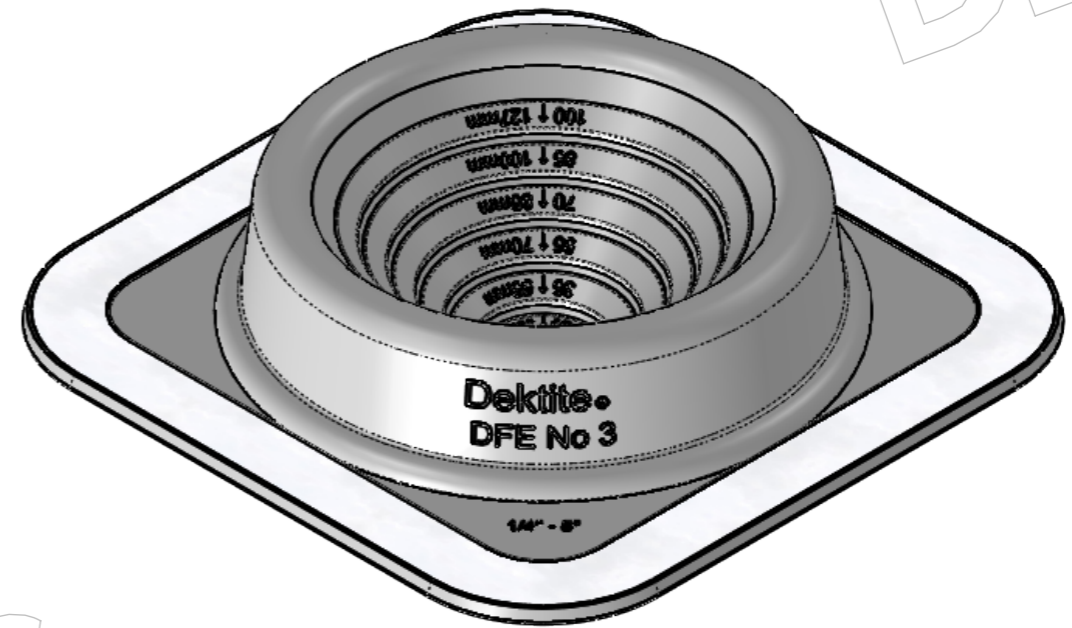
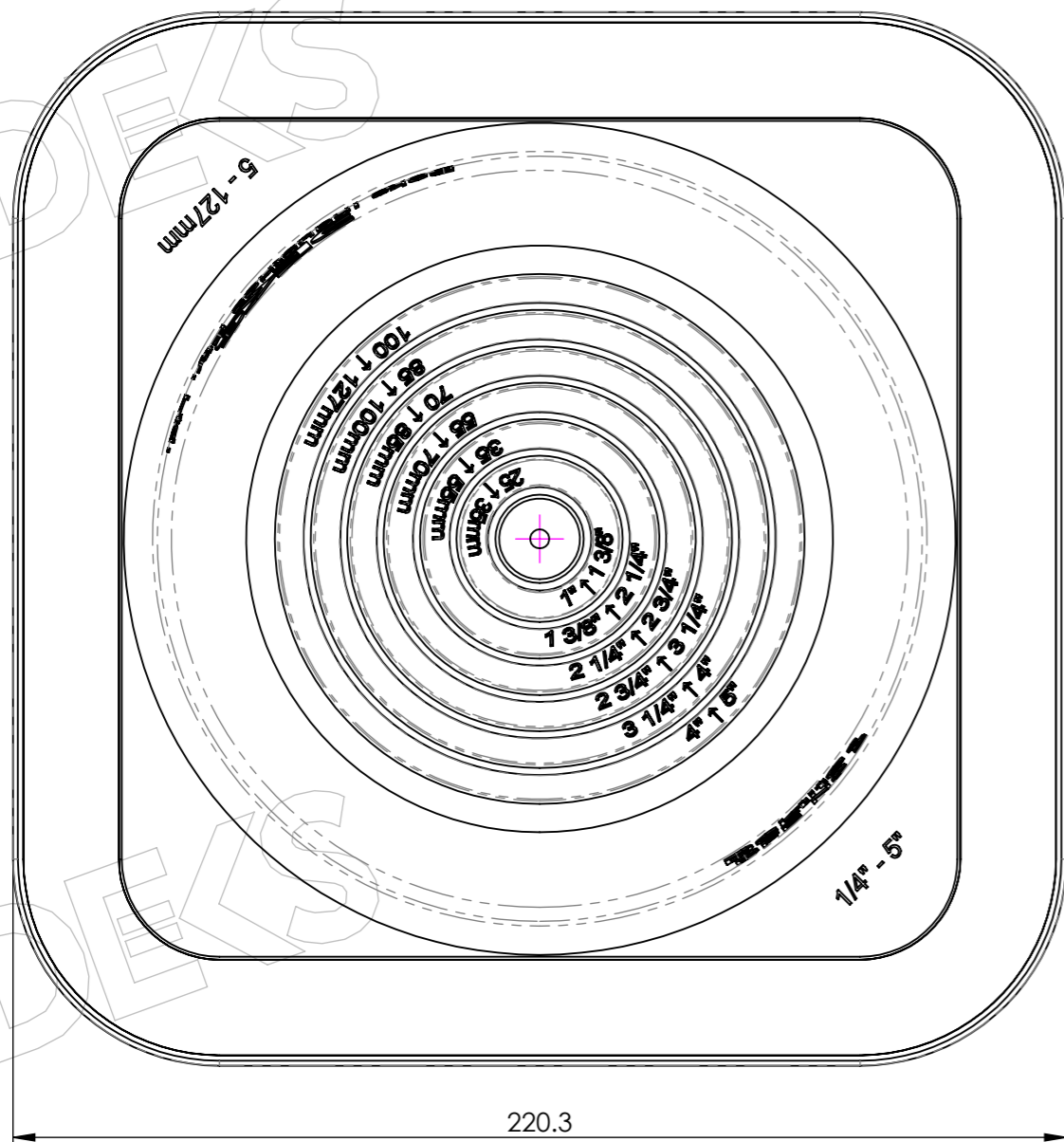
Technical Documents

1: Drawings DFE103B,DFE103G,DFE103LGY, DFE103B_PP

2: Flashings Technical Specifications

*Follow
Us On*





PART NUMBER	DISPLAY NAME	MATERIAL
DFE103G	Dektite Premium #3 Gry (5-127mm/0.25-5")	EPDM/ALU
DFE103B	Dektite Premium #3 Blk (5-127mm/0.25-5")	EPDM/ALU
DFE103LGY	Dektite Premium #3 Light Gry (5-127mm/0.25-5")	EPDM/ALU
DFE103B_PP	Dektite Premium Blk (1/4-5") Bulk Pac	EPDM/ALU
DFE203RE	Dektite Premium #3 Red Sil (5-127mm/0.25-5")	SILICONE/ALU

BAL Assessments Roof Flashings

Deks Industries Pty. Ltd. has tested its roof flashing for BAL (Bushfire Attack Level) to clause 20 of AS 1530.8.1 – 2007: “Methods for fire test on building materials, components and structures, Part 8.1 tests on elements of construction for buildings exposed to simulated bushfire attack – radiant heat and small flaming sources” and complies with it as per the table below.

All testing was completed by CSIRO Infrastructure Technologies.

BAL Rating	Models	Polymer	Use on min. 18° Roof Pitch for	CSIRO Report No.	Date of Issue
12.5	DC - Dektite Combo (no split)	EPDM	Metal Roofs	EP1312912	Dec 2013
	DFE – Dektite Premium	EPDM	Metal Roofs	EP1312912	Dec 2013
	DNL – Dektite Nu-Lead	EPDM	Tiled Roofs	EP1312992	Dec 2013
19	FFR – Fast Flash	MS Polymer	Tiled Roofs	EP159257	Dec 2015
29	DC - Dektite Combo (no split)	Silicone	Metal Roofs	EP1312939	Dec 2013
	DFE – Dektite Premium	Silicone	Metal Roofs	EP1312939	Dec 2013
	PFR - Perform	MS Polymer	Tiled Roofs	EP148152	Oct 2014